

GPS L2 SAW FILTER

165903-101

Features

- Low Insertion Loss
- High out of band rejection
- Single ended configuration
- SM3030 Surface Mount Package

Specifications

Parameter	Unit	Min.	Typical	Max.
Centre Frequency (F_o)	MHz	-	1227.6	-
Insertion loss @ 1227.6 MHz	dB	-	2.0	2.5
Passband Ripple, $f_o \pm 3.5$ MHz	dB-pp	-	0.3	0.6
1 dB Bandwidth	MHz	-	14	-
3 dB Bandwidth	MHz	-	22	-
Rejection, $f_o \pm 26$ MHz	dB	15	20	-
Rejection, $f_o - 27$ MHz, $f_o + 28$	dB	25	30	-
Rejection, $f_o - 29$ MHz, $f_o + 32$	dB	35	40	-
Rejection, $f_o - 30$ MHz, $f_o + 34$	dB	45	50	-
Return Loss, $f_o \pm 10$ MHz	dB	8		-
Operating Temperature Range	°C	-45 to +85		
Substrate Material	LiTaO ₃			

Note 1: Technical performance guaranteed over Operating Temperature Range

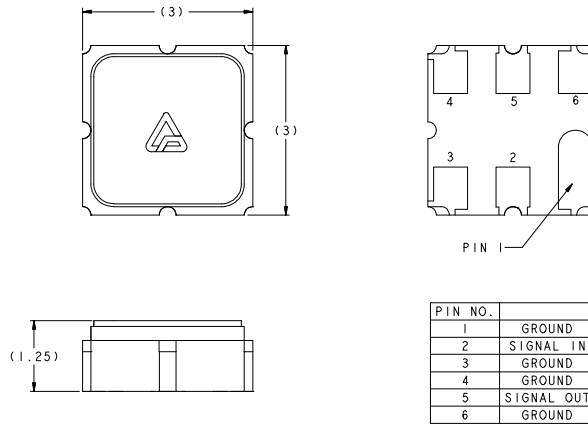
Note 2: Designed for 50Ω operation.

Specifications subject to change without notice

GPS L2 SAW FILTER

165903-101

Package Details



Typical Measured Performance Data

