

1278.75MHz SAW Filter

162197-101

SAW PRODUCTS

Parameter	Unit	Measured Performance		
		MIN	TYP	MAX
Centre Frequency, f_0	MHz		1278.75	
Insertion Loss, IL ⁽¹⁾	dB		2.0	3.0
Passband 1dB bandwidth ⁽¹⁾	MHz	20		
Amplitude Ripple ⁽¹⁾	dB p-p		0.4	1.2
Out-Of-Band Attenuation				
10 – 1140MHz	dB	40		
1140 – 1228MHz		40		
1328 – 1420MHz		40		
1420 – 1650MHz		40		
1650 – 3000MHz		35		
Group Delay Ripple ⁽¹⁾	nsec p-p		15	30
Operating Temperature Range	°C	-40		85
Input Impedance (single ended)	Ω		50	
Output Impedance (single ended)	Ω		50	
Impedance Matching		Internally matched		
Input Power Level	dBm	10		
Input /Output Return Loss ⁽¹⁾	dB	10	14	
Package	mm	SMT 3.0x3.0		

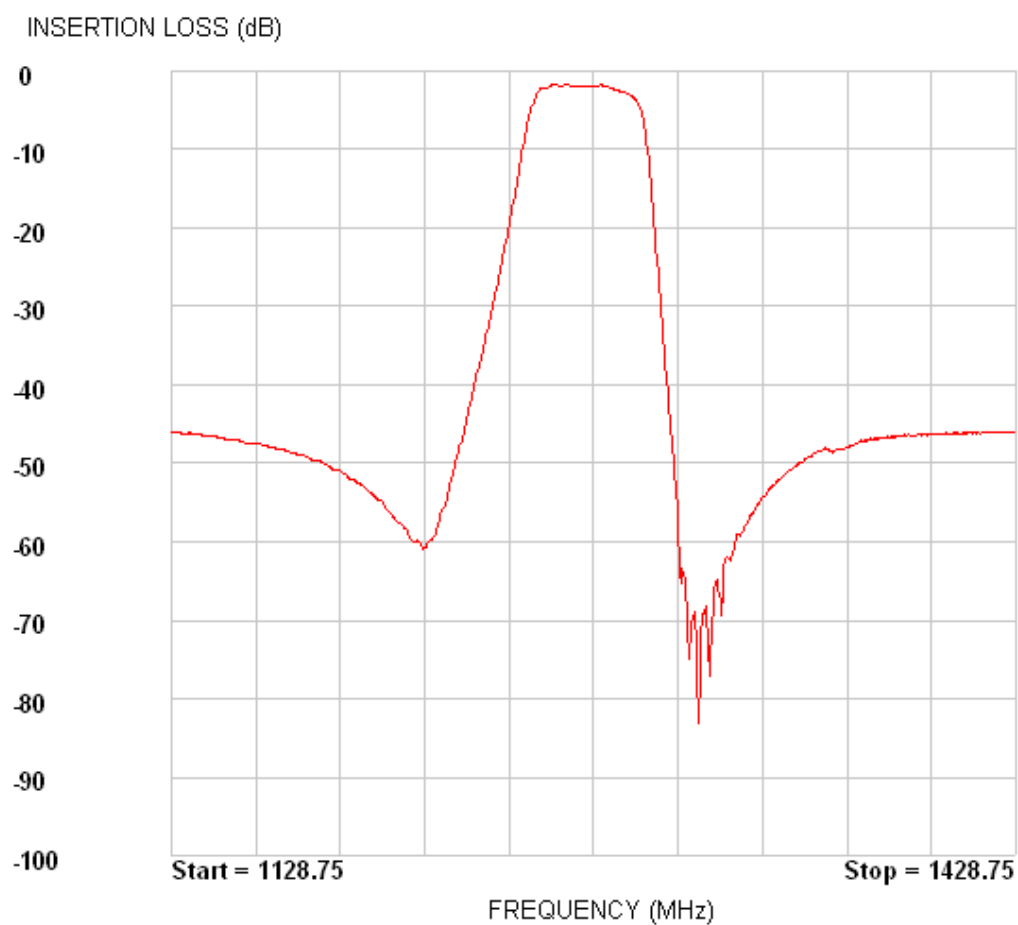
Notes:

1. over 1268.75MHz to 1288.75MHz.

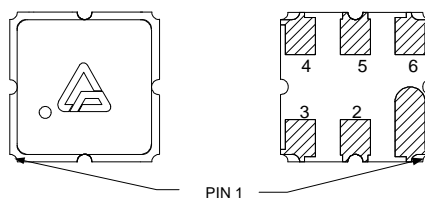
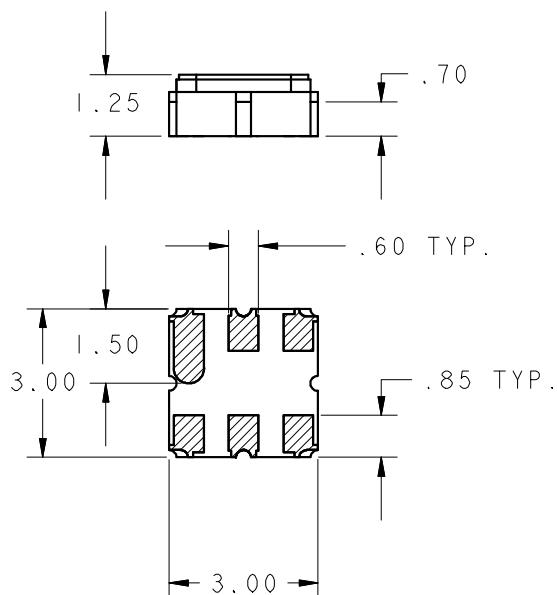
Measured Performance

COM DEV
SAW PRODUCTS

Near Band performance



Package Outline



Pin	Function
2	RF Input
5	RF Output
1,3,4,6	Ground