

# GPS L1 SAW FILTER

# 156889-101

## Features

- Low Insertion Loss
- High out of band rejection
- Single ended configuration
- SM3030 Surface Mount Package

## Specifications

Parameter	Unit	Min.	Typical	Max.
Centre Frequency ( $F_0$ )	MHz	-	1575.45	-
Insertion loss @ 1575.45 MHz	dB	-	2.4	3.0 dB
Passband Ripple, $F_0 \pm 1$ MHz	dB-pp	-	0.3	1.0
3 dB Bandwidth	MHz	25	37	-
Rejection, 1075 to 1510 MHz	dB	50	55	
Rejection, 1510 to 1530 MHz	dB	30	40	
Rejection, 1620 to 1630	dB	35	60	
Rejection, 1630 to 2075	dB	50	60	
Return Loss	dB	10	12	
Operating Temperature Range	°C	-25 to +85		
Substrate Material	LiTaO <sub>3</sub>			

Note 1: Technical performance guaranteed over Operating Temperature Range

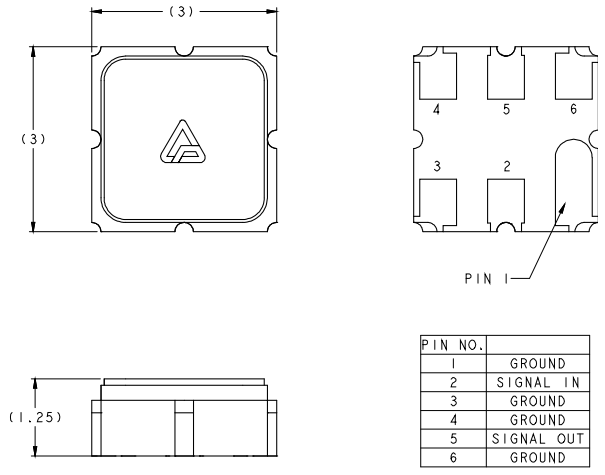
Note 2: Designed for 50Ω operation.

Specifications subject to change without notice

# GPS L1 SAW FILTER

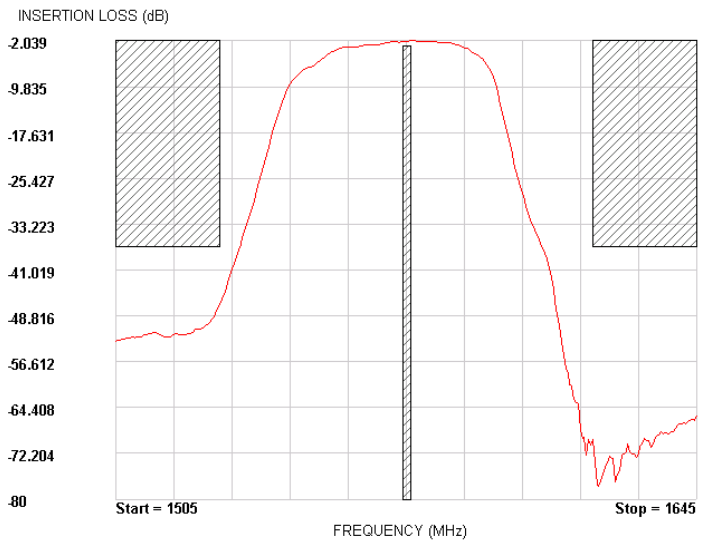
# 156889-101

## Package Details



PIN NO.	
1	GROUND
2	SIGNAL IN
3	GROUND
4	GROUND
5	SIGNAL OUT
6	GROUND

## Typical Measured Performance Data



COM DEV SAW PRODUCTS